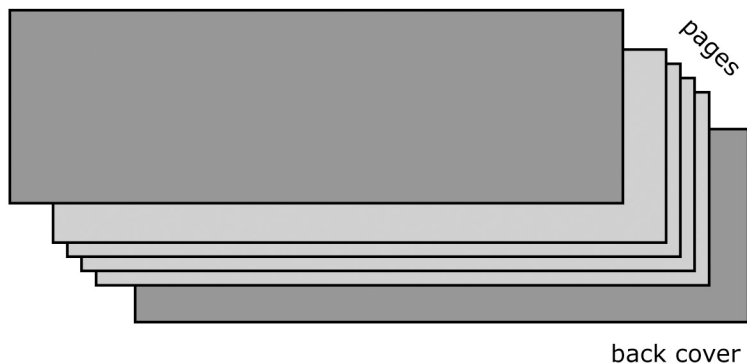




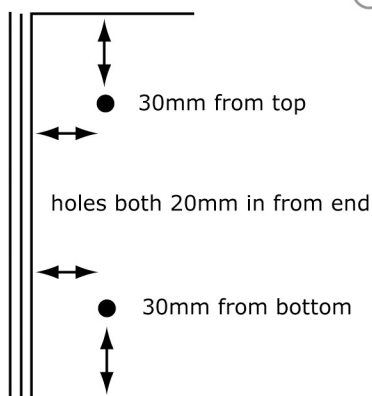
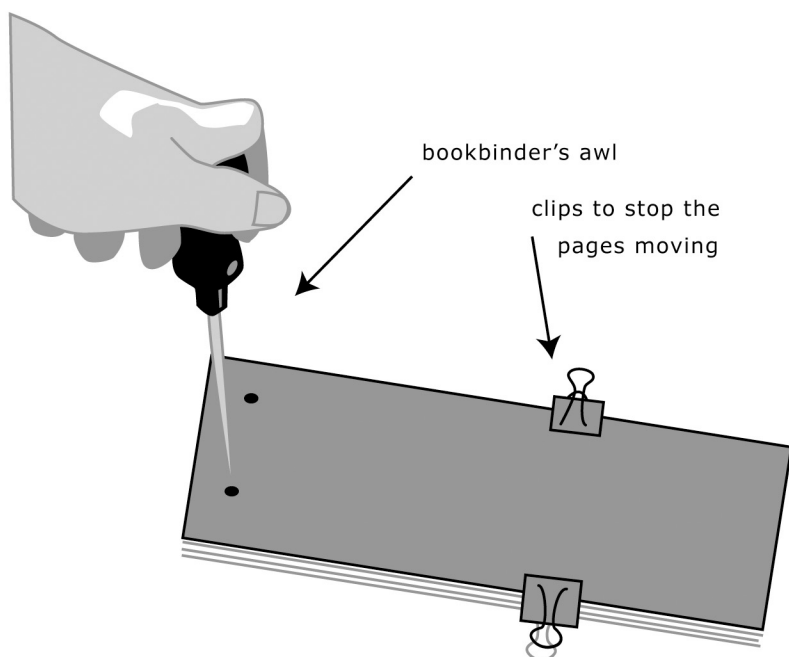
Japanese Account Book page 1

This is a lovely simple bind that can be embellished by using silk thread or even twisting the tassel.

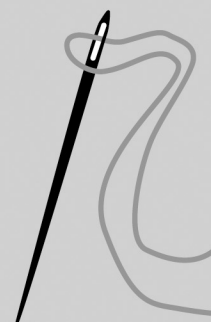
front cover



1. Cut a stack of pages, in this example there are 20 pages of medium weight paper (90mm x 280mm). The covers are the same size but on slightly heavier paper.



2. Then stab two holes through the cover and pages with a bookbinder's awl, both holes should be 20mm from the end and 30mm from top and bottom.

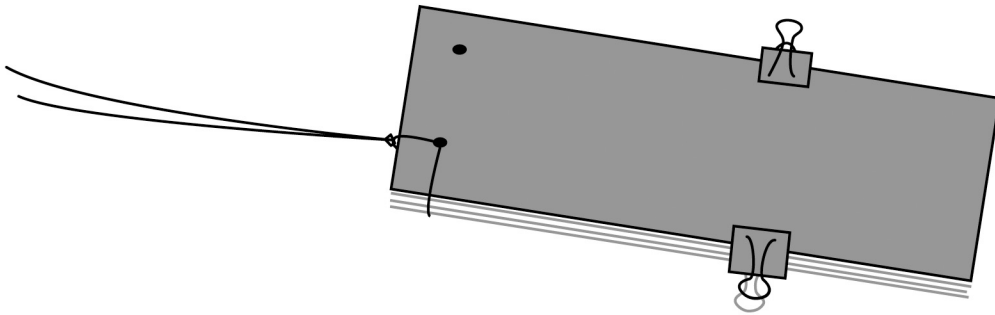


3. Thread a needle with silk thread or heavyweight cotton. Tapestry thread is ideal as it comes in many colours and has a sheen to it.

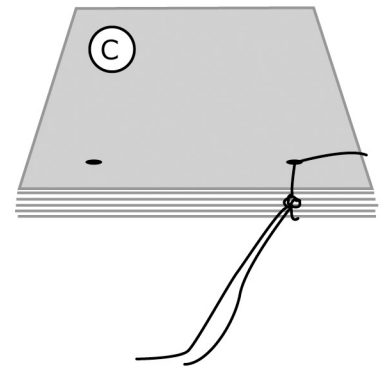
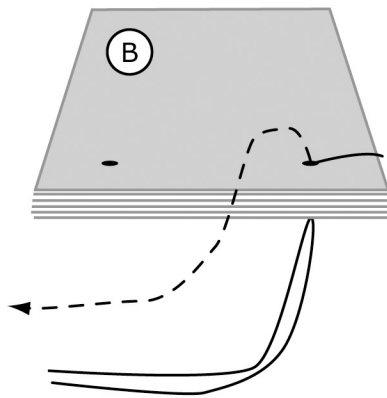
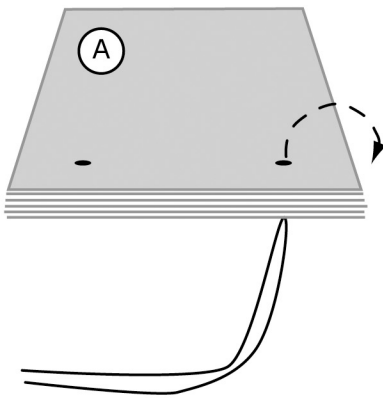
The sewing is done in two steps:

You'll need about 60cm doubled for the first stitch.

...and another 60cm doubled for the second stitch.

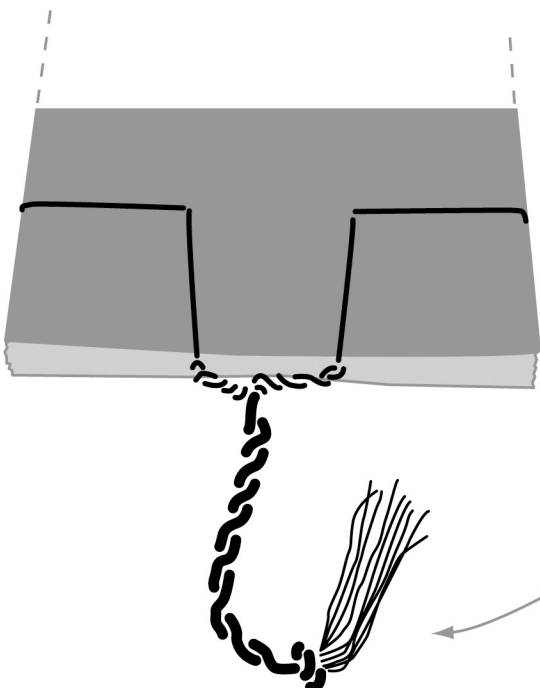


4. Following the diagrams, stitch the first corner and knot securely. The thread should be secure and have two long loose ends of 20cm. Now repeat with the second corner and also leave two long loose ends.



Now repeat the stitch at the other hole

5. Tie the four trailing ends together in a tight reef-knot close to the spine and the bind is complete.



EXTRA: For a more decorative finish, twirl, plait or twist the threads before knotting them. the remaining loose ends could also be twisted and knotted to finish.