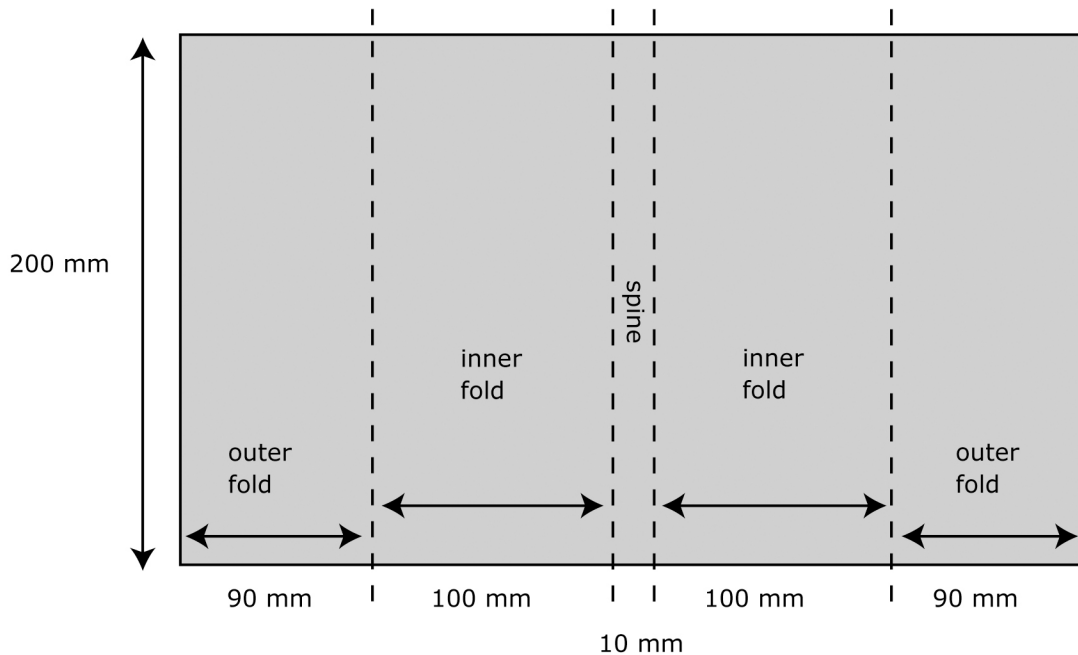




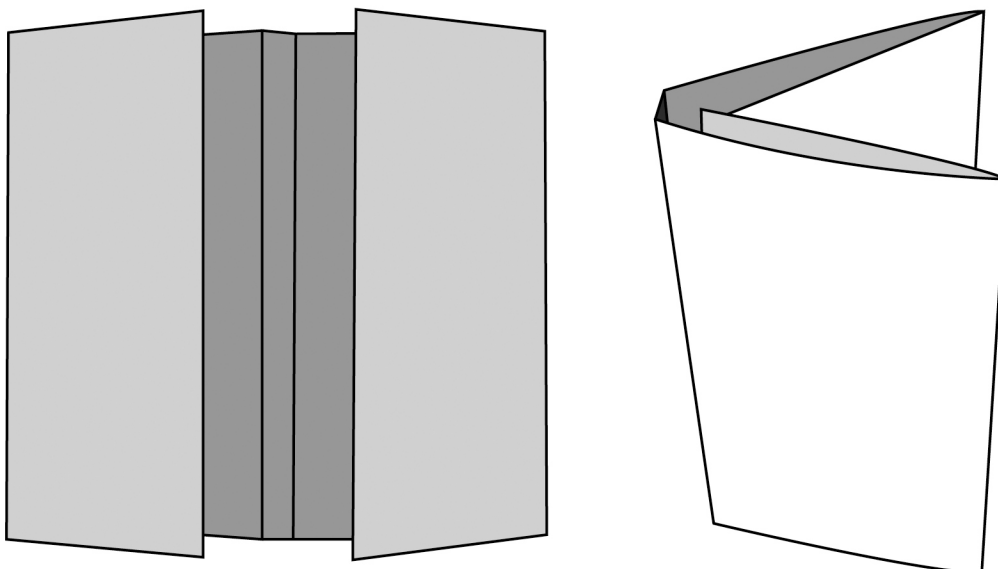
Leporello page 1

This is a great book for display, since the internal concertina can be removed easily. This structure can be scaled up into a large version as long as the spine is reinforced. This example will result in a book 200 mm x 100 mm

Making the wrap-around cover



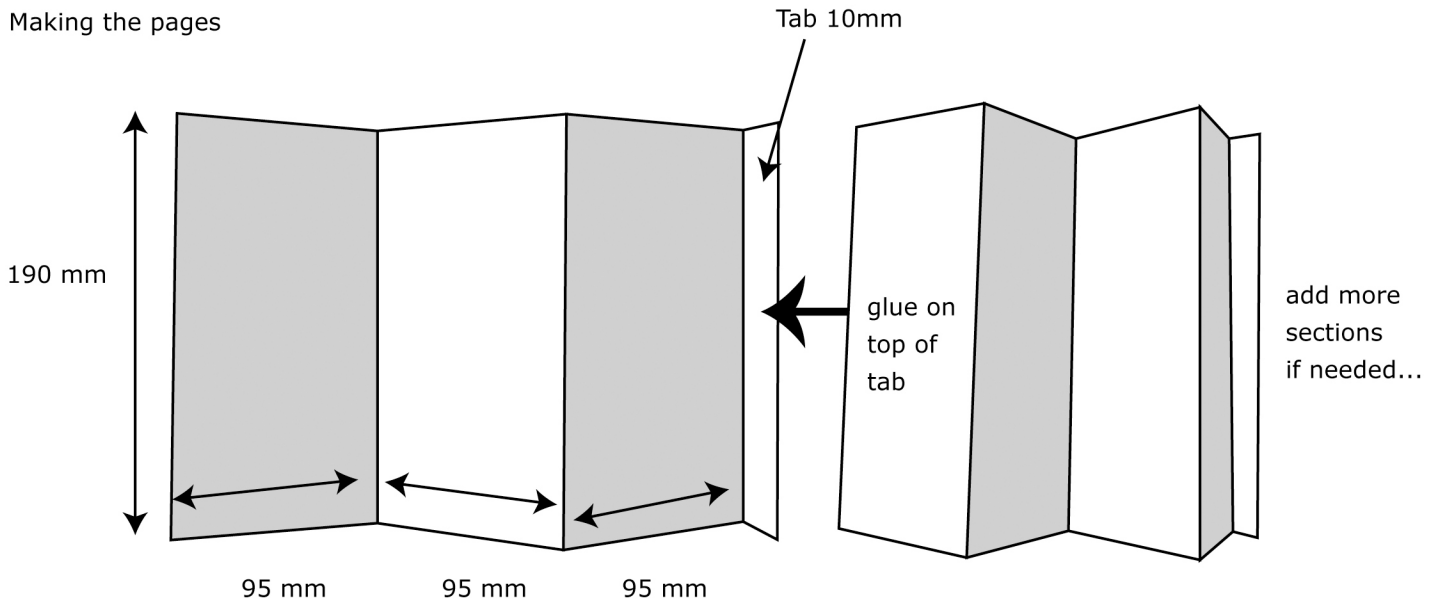
1. cut a rectangle of card as shown, 200 mm x 390 mm. Mark the folds and score them with a bone folder. The spine here is 10 mm but you can simply increase this if you want to make a thicker book. Very thick or large format versions of this book should have the spine reinforced with a strip card glued to the inside. The outer fold should always be slightly narrower than the inner fold, so that the folded pages can be easily slotted into the cover



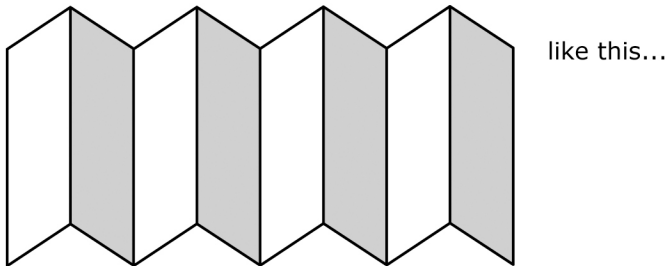
2. Fold the outer folds towards the spine, then fold the inner folds towards you to complete the cover



Making the pages



3. Measure out the pages and fold into a long concertina, glue sections together to make a really long book. To glue sections together - leave a small tab at the end of the valley fold so the next section can be added. PVA is a good glue for this, it dries clear and will give you a neat join. The finished concertina should have both ends pointing towards you, to enable it to slip into the cover



4. Lay the pages inside the cover and tuck the cover around the first and last pages of the concertina, to hold the pages in place

